

Fan Motor Replacement

For all PTG+/Junior/Tailgater/Century/Lonestar/Lil Tex Texas/XL/Select/COM models



Tools required:

1/4" wrench, socket or nut driver.



WARNING! Before installing or maintaining electrical parts in any Traeger Pellet Grill, disconnect power from the source. Hazardous voltage may be present which can shock, burn, or cause injury or death.

If you need any assistance while replacing parts, please contact Traeger Customer Service at 1-800-872-3437 between 5AM and 7PM Pacific, 7 days a week.

Removal steps:

1. Unplug the cord from the electrical outlet.
2. Remove any guards and panels that block access to the fan motor. This may vary from model to model.
3. Unplug the plastic Molex connector located on the end of the fan motor from the connector on the controller with the orange and white wires. See Figure 1.
4. Remove the four (4) Tek screws from below. Remove the fan motor as shown in Figure 2.
(Note: For COM200 and BBQ150 models, the fan is mounted on the side of the burner, but removal is otherwise the same)

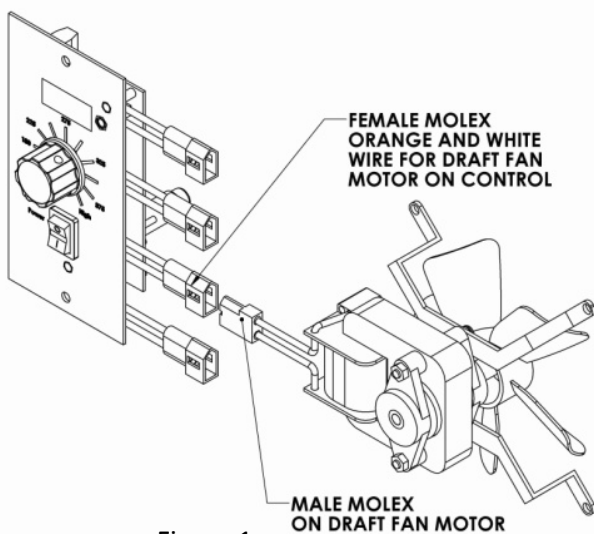


Figure 1

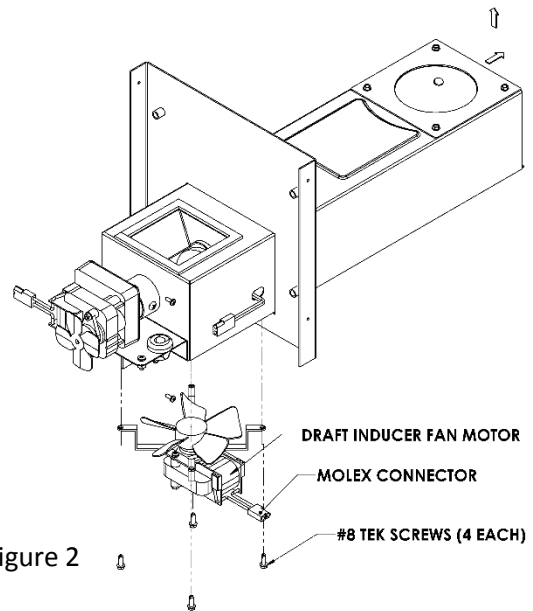


Figure 2

Replacement steps:

1. Place replacement motor under hopper/burner assembly as shown in Figure 2.
2. Insert the four Tek screws through the brackets on the fan and into the bottom of the hopper/burner assembly. Do not over tighten.
3. Turn fan blade by hand to ensure that fan turns freely.
4. Plug the male Molex connector on the fan motor into the female connector on the controller with the orange and white wires. Use the included wire ties to secure the wires so they do not interfere with any moving parts.
5. Replace any guards or panels if needed.
6. Plug in the grill and set the control to Smoke to verify that the fan spins.