



Wood Fired Grills – Silverton

USE & CARE INSTRUCTIONS

A MAJOR CAUSE OF FIRES IS FAILURE TO MAINTAIN REQUIRED CLEARANCES (AIR SPACES) TO COMBUSTIBLE MATERIALS. IT IS OF UTMOST IMPORTANCE THAT THIS PRODUCT BE INSTALLED ONLY IN ACCORDANCE WITH THESE INSTRUCTIONS.

IMPORTANT, RETAIN FOR FUTURE REFERENCE: READ CAREFULLY

IMPORTANT SAFETY

IMPORTANT: READ CAREFULLY AND RETAIN FOR FUTURE REFERENCE.

If you are assembling this unit for someone else, provide this manual for the owner to read and save for future reference.

READ ALL INSTRUCTIONS BEFORE INSTALLING AND USING THE APPLIANCE

Please read this entire manual before installation and use of this pellet-burning appliance. Failure to follow these instructions could result in property damage, bodily injury, or even death. Contact local building or fire officials about restrictions and installation inspection requirements in your area.

Cooking with a hardwood fire will bring years of enjoyment to you, your family, and those lucky friends you will be cooking for. Your new Traeger Silverton Grill is especially designed to make cooking easier, while giving you optimal performance with the most savory-flavored food.

As with all grills and cooking appliances, any time you burn a material—whether it be wood, gas, or charcoal—organic gases are formed during the cooking process. One gas that can be particularly harmful in concentrated quantities is carbon monoxide. In an outdoor, open-air environment, carbon monoxide should naturally dissipate and not harm you.

WARNING! Follow these guidelines to prevent this colorless, odorless gas from poisoning you, your family, or others:

- Know the symptoms of carbon monoxide poisoning: headache, dizziness, weakness, nausea, vomiting, sleepiness, and confusion. Carbon monoxide reduces the blood's ability to carry oxygen. Low blood oxygen levels can result in loss of consciousness and death.
- See a doctor if you or others develop cold- or flu-like symptoms while cooking or in the vicinity of this appliance. Carbon monoxide poisoning, which can easily be mistaken for a cold or flu, is often detected too late.
- Alcohol consumption and drug use increase the effects of carbon monoxide poisoning.
- Carbon monoxide is especially toxic to mother and child during pregnancy, infants, the elderly, smokers, and people with blood or circulatory system problems, such as anemia or heart disease.
- Only use your Traeger outside on a noncombustible floor and away from combustible materials.
- Never use gasoline, gasoline-type lantern fuel, kerosene, charcoal lighter fluid, or flammable liquids to start or “freshen up” a fire in this appliance. Keep all such liquids well away from this appliance when in use.

DANGER!

- Plug into an appropriate 3-prong outlet.
- An electrical supply with GFCI protection is required. To protect against shock hazard, locate a grounded 3-prong receptacle in reach of the 1.8 m (6') power cord. When installing the receptacle, follow the National Electrical Code and local codes and ordinances.
- If the supply cord is damaged, it must be replaced by the manufacturer, service agent, or similarly qualified persons in order to avoid a hazard.

DANGER!

- Hazardous voltage is present which can shock, burn, or cause death. Disconnect the power cord before servicing the grill unless otherwise noted in these Use & Care Instructions.
- Never use or store flammable liquids near the grill.
- Never use gasoline or lighter fluid to manually light your grill. Use **ONLY** alcohol gel for this procedure **AND** according to the instructions in these Use & Care Instructions.

WARNING!

Many parts of the grill will become very hot during operation. Care must be taken to avoid burns, both during operation and afterwards, while the grill is still hot.

- **Never** leave the grill unattended when young children are present.
- **Never** move the grill when it is operating.
- Let the grill cool thoroughly before moving or attempting to transport.

WARNING!

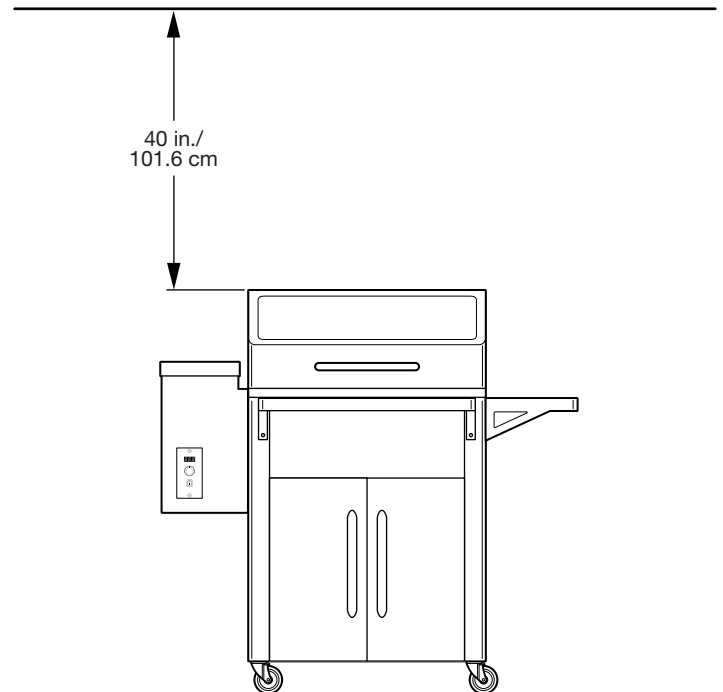
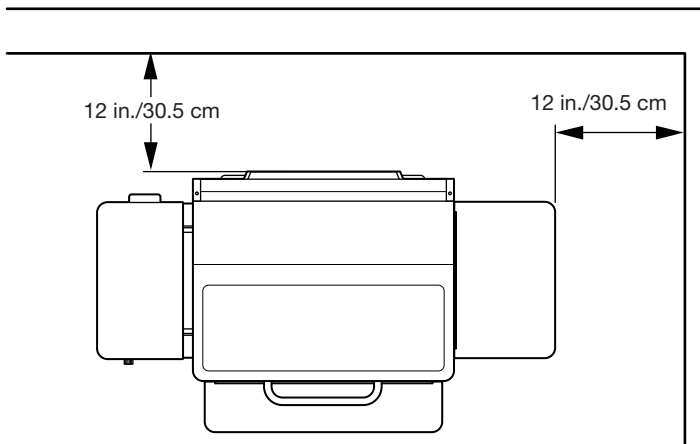
- When operating this grill, maintain a **MINIMUM** distance of 12 in. / 30.5 cm from the grill to combustibles.
- When operating this grill under overhead combustibles, a **MINIMUM** of 40 in. / 101.6 cm is required.

WARNING!

- Assemble and operate this grill **ONLY** per the instructions in the Assembly Guide and these Use & Care Instructions.
- This grill is intended for **OUTDOOR USE ONLY**.
- Never use heating fuel pellets in the grill, due to potential hazardous contaminants and additives that may be present.
- For best results and flavor, use genuine Traeger Hardwood Pellets.

CAUTION!

- Always store wood pellets in a dry location, away from heat-producing appliances and other fuel containers.
- Keep the grill clean – See the cleaning instructions in these Use & Care Instructions.
- Do not use accessories not specified for use with this grill.



SAVE THESE INSTRUCTIONS



WE'VE GOT YOU COVERED

TraegerGrills.com/Shop
TraegerGrills.com/Dealers

RUBS



PELLETS



SAUCES





TABLE OF CONTENTS

| | |
|-----------|-----------------------------|
| 2 | Important Safety |
| 6 | Adding Flavor to Your Fire |
| 8 | Getting to Know Your Grill |
| 10 | Initial Firing Instructions |
| 13 | Subsequent Start-Up |
| 14 | Using the Meat Probe |
| 15 | Reigniting Your Grill |
| 17 | Operating Tips |
| 19 | Hopper Clean-Out |
| 20 | Maintaining Your Grill |
| 22 | Frequently Asked Questions |
| 24 | Additional Accessories |
| 26 | Service and Support |
| 27 | Warranty |

**Register your grill
online for a FREE
Traeger ebook**

Go online at
traegergrills.com/register

ADDING FLAVOR TO YOUR FIRE

PELLETS

Creating 100% food-grade hardwood pellets comes naturally to Traeger. Our four U.S. mills process pure hardwood, blended for the perfect balance of smoke to heat and superior quality you can taste every time.

Crafting the highest-quality hardwood pellets on the market starts from the ground up. We built our plants in Oregon, Texas, and Georgia near the hardwood source, and we dedicate our manufacturing to food-grade pellets only, maintaining the purity of our machinery.

Traeger Hardwood Pellets contain two natural ingredients: our signature blend of hardwoods and a simple soybean oil. When manufacturing the premium hardwood pellets that elevate your meal to the next level, less is always more. No additives, no fillers, no binding agents — just simple, natural flavor.

HARDWOOD PELLET GUIDE

GOOD FOR ANYTHING. GREAT FOR:

| Flavor | Beef | Pork | Chicken | Turkey | Vegetables | Fruits |
|----------|------|------|---------|--------|------------|--------|
| ALDER | ✓ | ✓ | ✓ | ✓ | ✓ | ✓ |
| APPLE | | ✓ | ✓ | | ✓ | ✓ |
| CHERRY | ✓ | ✓ | ✓ | | ✓ | |
| HICKORY | ✓ | ✓ | ✓ | | | ✓ |
| MAPLE | ✓ | ✓ | | | ✓ | ✓ |
| MESQUITE | ✓ | ✓ | ✓ | | ✓ | |
| OAK | ✓ | | | ✓ | ✓ | |
| PECAN | ✓ | ✓ | ✓ | | ✓ | ✓ |

SPECIALTY SIZES



HICKORY 10-lb. (4.5-kg) box **PEL104**

Our most popular pellet flavor now comes in an easy-to-transport 10-lb. box.



BIG GAME BLEND 33-lb. (15-kg) bag **PEL320**

Traeger and Realtree have teamed up to bring you an exclusive blend of hickory and red and white oak, with woody rosemary undertones. This flavor is big enough for big game.

20-LB (9-KG) BAGS



ALDER 20-lb. (9-kg) bag **PEL307**

Versatile because of its mild flavor and aroma, alder gives off ample smoke without overwhelming even the most delicate flavors.



MAPLE 20-lb. (9-kg) bag **PEL308**

Mild, with a hint of sweetness, maple pellets are great for pork and especially veggies.



APPLE 20-lb. (9-kg) bag **PEL318**

Most often used with poultry and pork, apple pellets offer a lightly sweet smoke that helps enhance mild-flavored meats.



MESQUITE 20-lb. (9-kg) bag **PEL305**

A favorite of Texas BBQ, mesquite pellets infuse your meat with a robust smoke flavor.



CHERRY 20-lb. (9-kg) bag **PEL309**

A very flavorful pellet, cherry wood lends itself to applications where you want to add a hearty smoke flavor.



OAK 20-lb. (9-kg) bag **PEL310**

Stronger than cherry or apple and lighter than hickory, oak is great to use with fish and beef.



HICKORY 20-lb. (9-kg) bag **PEL319**

The most widely used pellets in barbecue, hickory pellets release a rich flavor that complements most meats.



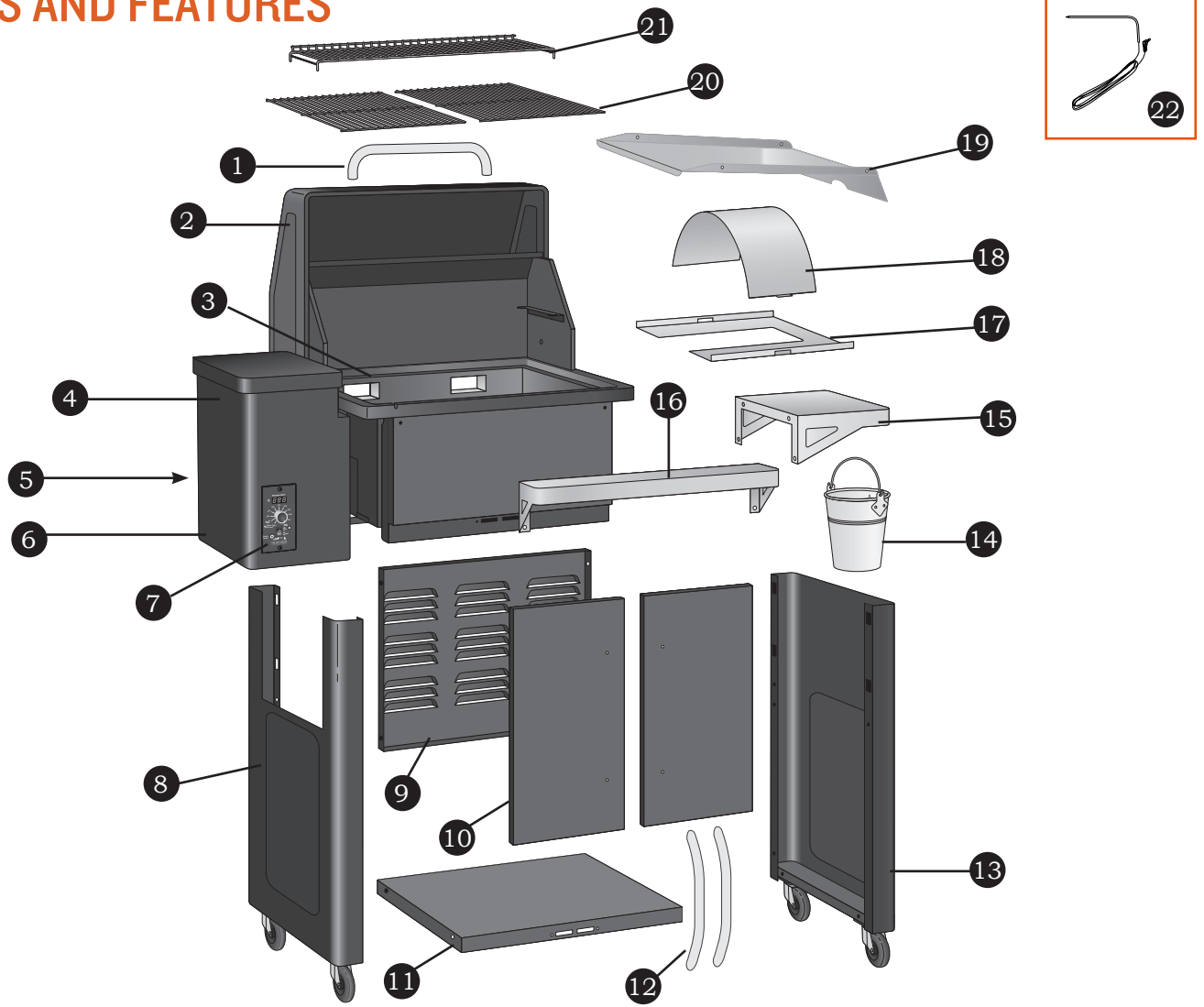
PECAN 20-lb. (9-kg) bag **PEL314**

Deliciously nutty and even a little spicy, pecan pellets are great with veggies, beef, pork, poultry, or even baked goods.

GETTING TO KNOW YOUR GRILL

Refer to the Assembly Guide to assemble and install your Traeger Grill.

PARTS AND FEATURES



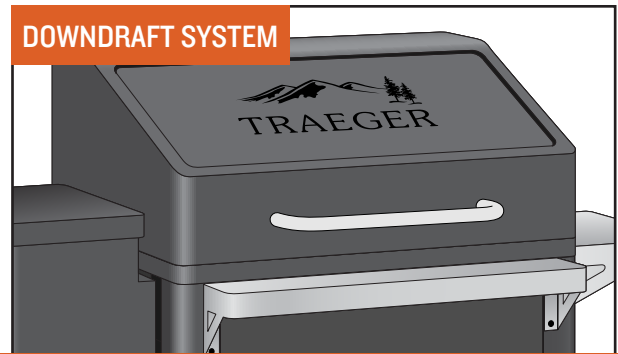
| Part | Description |
|------|--------------------------------|
| 1 | Grill Door Handle |
| 2 | Grill Door |
| 3 | Grill Body |
| 4 | Pellet Hopper |
| 5 | Pellet Hopper Clean-out Door |
| 6 | Auger (Pellet Hopper Interior) |
| 7 | Digital Pro Controller |
| 8 | Left Leg with Casters |
| 9 | Back Panel |
| 10 | Lower Cabinet Doors (2) |
| 11 | Bottom Shelf |

| Part | Description |
|------|-----------------------------------|
| 12 | Cabinet Door Handles (2) |
| 13 | Right Leg with Casters |
| 14 | Grease Bucket |
| 15 | Stainless Steel Side Shelf |
| 16 | Stainless Steel Front Shelf |
| 17 | Lower Heat Shield |
| 18 | Upper Heat Shield |
| 19 | Grease Drain Pan |
| 20 | Porcelain-Coated Grill Grates (2) |
| 21 | Upper Grill Rack |
| 22 | Meat Probe |



PELLET HOPPER

With a pellet hopper capacity of 20 lbs. / 9.1 kg, you have more flavor options than ever. Pair that with Traeger's Digital Pro Controller and delicious food is just a "click" away.



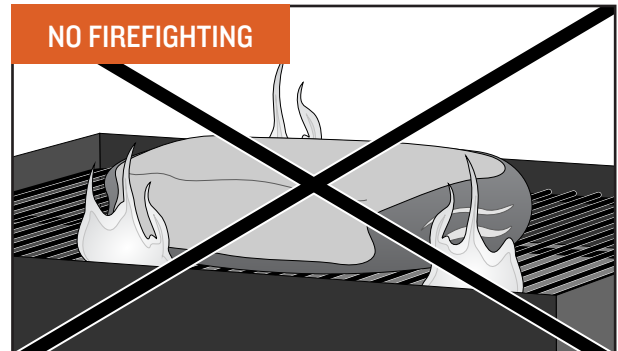
DOWNDRAFT SYSTEM

Traeger's trademark downdraft system creates a vortex of convection. It circulates hot, smoky air around the cooking chamber, surrounding your food with heat and cooking it evenly on all sides.



GRILLING SPACE

With 615 in² / 0.40 m² of grilling space and 34,000 BTUs of wood-fired heat, your Traeger Silverton Grill has the real estate and cooking power for party-sized orders of T-bones or racks of ribs.



NO FIREFIGHTING

No more worrying about drippings flaring up and causing those nasty fireballs that destroy your meal*. Traeger Wood Fired Grills are designed to cook by using indirect heat. All drippings are safely channeled outside of the cooking chamber into a bucket for easy disposal.

***With proper, recommended maintenance**

COMPLETE THESE STEPS TO GET TRAEGER'ING (REFER TO THE ASSEMBLY GUIDE)

1. Attach legs to grill body assembly.
2. Attach lower back panel.
3. Insert bottom shelf between legs.
4. Flip grill over and install downdraft "backpack".
5. Attach the grill lid handle.
6. Install the lower cabinet doors.
7. Attach the front and side shelves.
8. Assemble interior grill components by placing lower heat shield, upper heat shield, grease drain pan, and racks in the grill body.

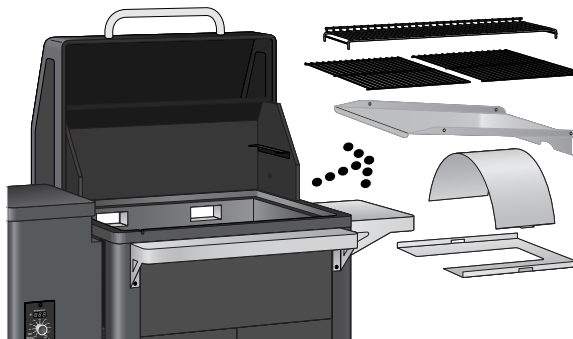
9. Hang the grease bucket in the lower cabinet.

TOOLS SUPPLIED FOR ASSEMBLY

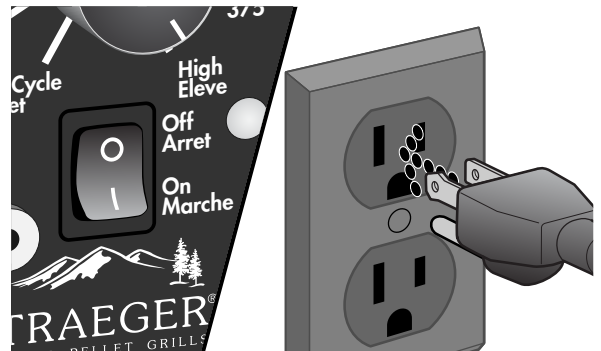
- (2) Open-end wrenches
- (1) Screwdriver

INITIAL FIRING INSTRUCTIONS

To be used on initial firing or any time the grill runs out of pellets. In order to ensure proper operation of the grill, you must first allow the auger tube to be “charged” with pellets.



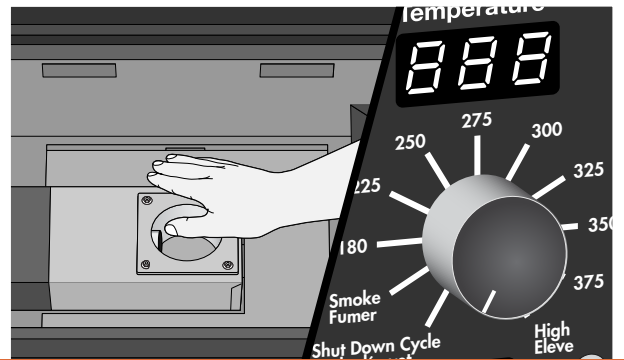
- 1 Remove the porcelain-coated grill grate, grease drain pan, and both upper and lower heat shields from the inside of the grill.



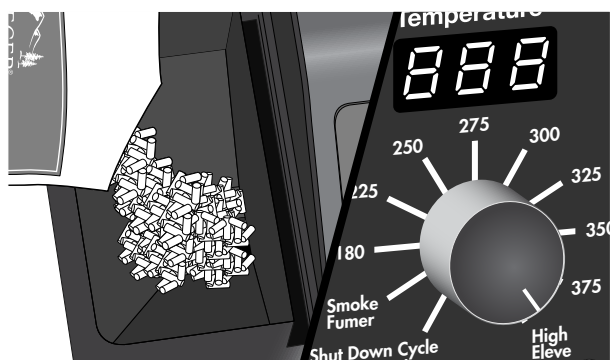
- 2 With the switch in the OFF (O) position, plug the power cord into an appropriate grounded electrical outlet.



- 3 Make sure there are no foreign objects in the auger. Turn the switch ON (I) and the temperature dial to SMOKE. Make sure the auger is turning (inside the pellet hopper).



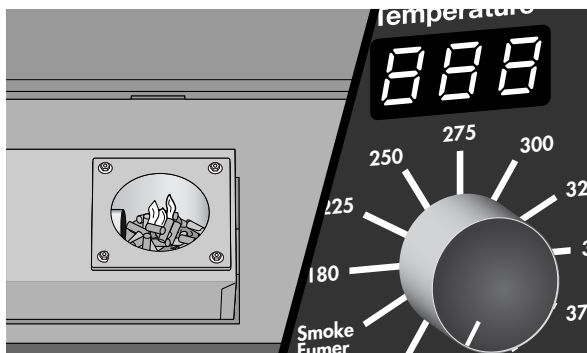
- 4 Check that there is air movement from the draft inducer fan by placing your fingers over the firepot. If the hot rod is getting hot, it will turn red. **CAUTION! Do not touch the hot rod.** Turn the temperature dial to SHUT DOWN CYCLE.



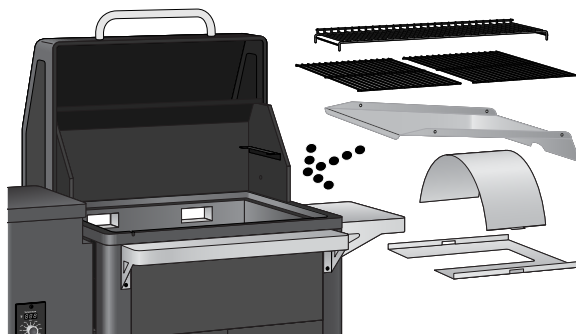
5 Fill the hopper with Traeger Hardwood Pellets and turn the temperature dial to HIGH.



6 When the pellets begin to fall into the firepot, turn the temperature dial to SHUT DOWN CYCLE to reset the hot rod. Then with pellets still in the firepot, turn the temperature dial back to SMOKE.



7 When flames start coming out of the firepot, turn the temperature dial to SHUT DOWN CYCLE and switch to OFF. Let the grill cool down.



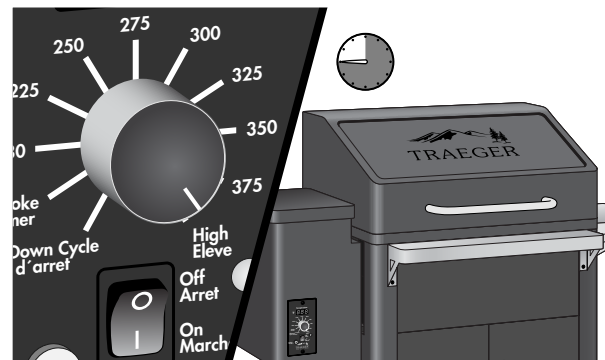
8 Now you're ready to place the lower and upper heat shields, grease drain pan, and porcelain-coated grill grates back into the grill.

Recommendation: For easy cleanup, line the grease drain pan with heavy-duty aluminum foil. Be sure the edges and ends of the foil are tight against the bottom of the grease drain pan. Replace foil after each cook to reduce the possibility of a grease fire. Please see “Maintaining Your Grill” on page 20 for more details.

INITIAL FIRING INSTRUCTIONS (cont.)



- 9** With the door closed, turn the switch ON (I) and the temperature dial to SMOKE. In about 2 minutes, the pellets will ignite and whitish-gray smoke will come out of the grill. After the pellets have ignited, turn the temperature dial to any cooking setting desired.



- 10** **Before** using your grill for the first time, it will need to be seasoned. Turn the temperature dial to HIGH and let run for 45 minutes with the door closed.

WARNING!

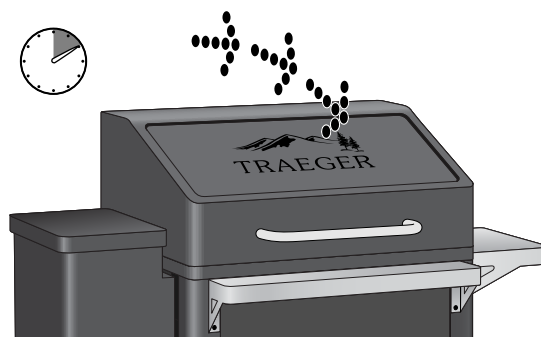
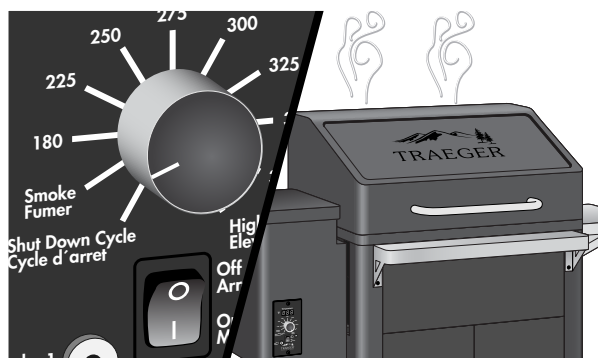
- **Start the grill on SMOKE setting.** Once the pellets are ignited, set the temperature dial to any desired cooking temperature.
- When operating this grill, maintain a minimum clearance of 12 in. / 30.5 cm from grill to combustibles.
- For best results and flavor, always use genuine Traeger Hardwood Pellets. Never use heating fuel pellets in the grill.
- Clean the grease drain pan frequently to reduce the possibility of a grease fire. Please see “Maintaining Your Grill” on page 20 for more details.

CONTROLLER SHUT DOWN CYCLE

The controller for this barbecue comes with an automatic shut down cycle. When finished cooking on your barbecue, set the temperature dial to the SHUT DOWN CYCLE position. This will leave the draft induction fan running for 10 minutes to burn any excess pellets in the firepot. After 10 minutes, the control will power off and the fan will stop running.

DANGER! The main power switch will shut off power to the control, and the temperature dial switch will shut off power to the grill components only. When servicing the controller or any other parts, ensure that the power supply is disconnected to avoid an electrical shock hazard.

SUBSEQUENT START-UP



1

With the door closed, turn the switch ON (I) and the temperature dial to SMOKE. In about 2 minutes, the pellets will ignite and whitish-gray smoke will come out of the grill. After the pellets have ignited, turn the temperature dial to any cooking setting desired.

2

Allow the grill to preheat for about 10 minutes with the door closed before placing food in the grill.

NOTE: If the grill hasn't achieved the set temperature after a full 10-minute preheat, turn the dial to SHUT DOWN CYCLE, then back to the originally selected temperature.

If this fails to achieve the selected temperature, please see the "Operating Tips" section on page 17 for more information.

CONTROLLER SAFETY FEATURES

The controller comes equipped with two safety features that will help you keep the grill operating correctly.

LOW TEMPERATURE ALARM

If the grill stays below 125°F / 51.7°C (as read by the RTD temperature sensor) for a period of 10 minutes, the control will go into an alarm state and the display will read "LEr." This will turn off all power to the internal components of the grill. The display will remain in this state until you turn off the main power switch.

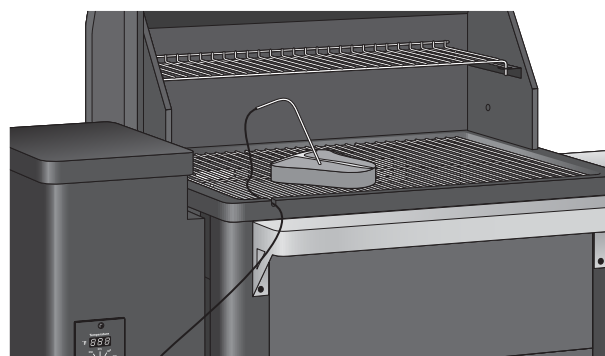
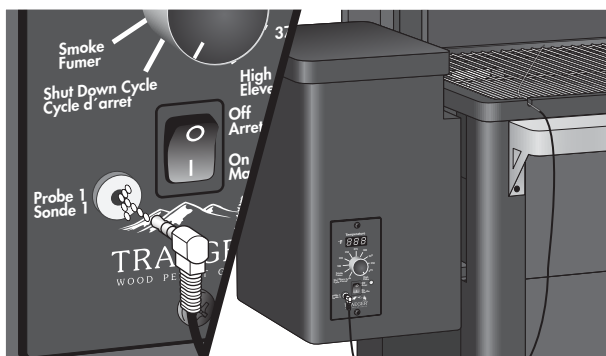
HIGH TEMPERATURE ALARM

If the grill reaches an internal temperature reading of 550°F / 287.8°C (as read by the RTD temperature sensor), the control will go into alarm state and the display will read "HEr." This will turn off all power to the internal components of the grill. The display will remain in this state until you turn off the main power switch.

Whenever either of these alarm conditions occurs, you should check to see what caused this condition and fix the problem. Call Traeger's VIP-365 Customer Service (see page 26) if you need help.

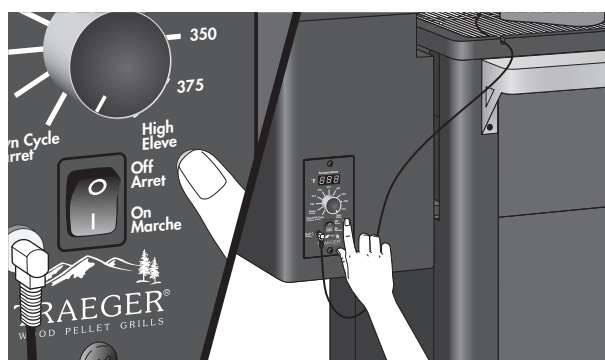
USING THE MEAT PROBE

Your Traeger Silverton Grill includes a meat probe for monitoring internal food temperature, or for cooking to a goal temperature.



1 Insert the meat probe's plug into the socket on the lower left corner of the controller, then thread probe through the notch on the front edge of the grill.

2 Insert the probe tip into the meat. Make sure it is not in the fatty portion or touching bone, but is halfway into the thickest part of the meat.



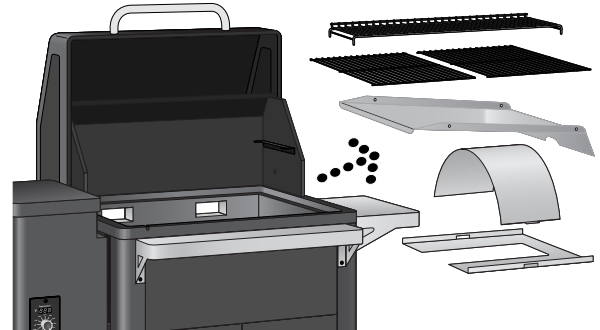
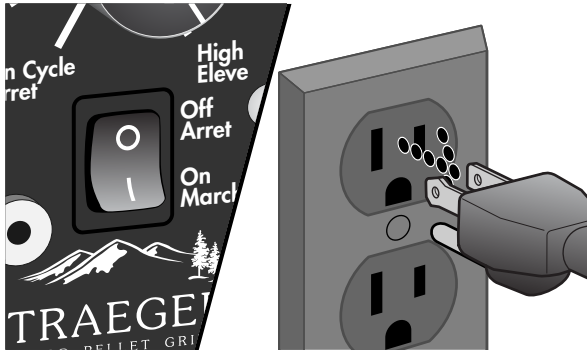
3 **Reading the temperature:** Press the Probe Selector button on the control. The probe temperature will display for 5 seconds then revert back to the temperature of the grill.

MEAT TEMPERATURE RECOMMENDATIONS

| RANGE | BEEF | LAMB | PORK | POULTRY |
|-------------|--------------|--------------|--------------|--------------|
| Well | 170°F / 77°C | 160°F / 71°C | 170°F / 77°C | 170°F / 77°C |
| Medium | 160°F / 71°C | 155°F / 68°C | 160°F / 71°C | 170°F / 77°C |
| Medium Rare | 145°F / 63°C | 145°F / 63°C | | 170°F / 77°C |
| Rare | 135°F / 57°C | | | 170°F / 77°C |

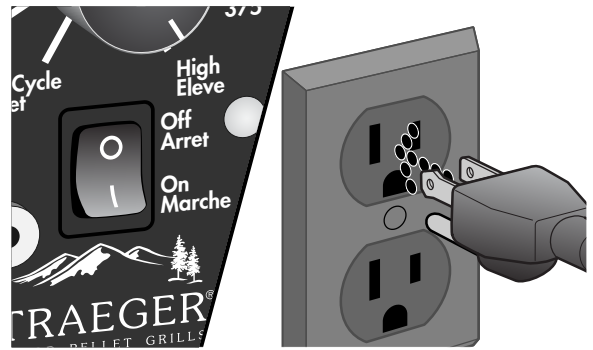
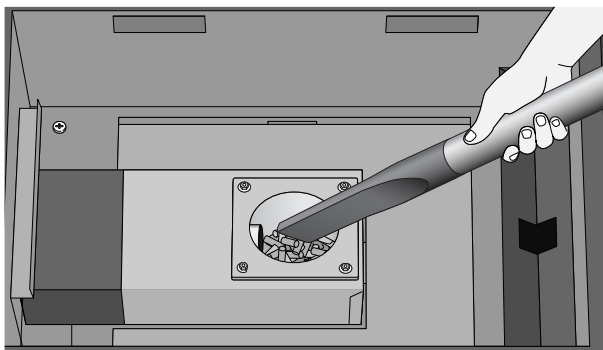
REIGNITING YOUR GRILL

WARNING! If at any time the grill fails to light, or the fire in the firepot goes out while cooking or smoking and there are sufficient pellets in the pellet hopper, it is important that you follow these steps. Failure to do so may cause a hazardous "over-firing" of your grill due to an excess of unburned pellets in the firepot.



1 **DANGER!** If the grill failed to light or the fire went out, turn the switch OFF (●) and disconnect the power cord. If the grill is still hot, allow it to cool thoroughly.

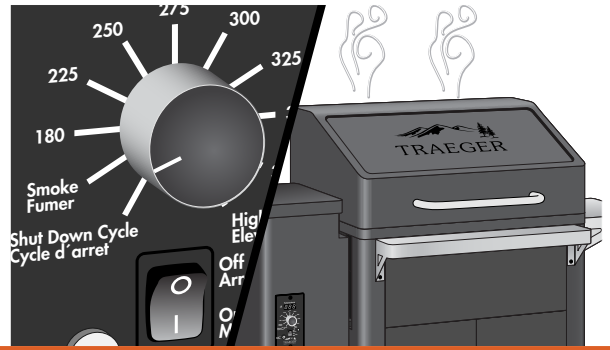
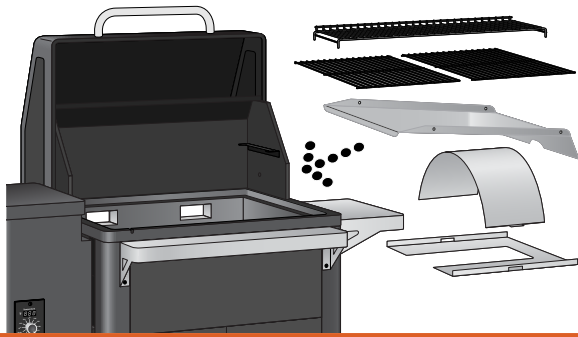
2 Open the door and remove all food, the porcelain-coated grill grates, the grease drain pan, and the upper and lower heat shields.



3 **WARNING!** Remove all unburned pellets and ash from inside and around the firepot. (See instructions for proper handling and disposal of ash on page 21.)

4 Plug power cord into an appropriate grounded electrical outlet and restart the grill. Pellets should fall into the firepot and the hot rod should begin to heat (it will start to turn red). **CAUTION! Do not touch the hot rod.**

REIGNITING YOUR GRILL (cont.)



5 When flames start to come out of the firepot, turn the switch OFF (O). Let the grill cool down. Now you're ready to place the upper and lower heat shields, grease drain pan, porcelain-coated grill grate, and upper rack back into the grill.

6 With the door closed, turn the switch ON (I) and the temperature dial to SMOKE. In about 2 minutes, the pellets will ignite and whitish-gray smoke will come out of the grill. After the pellets have ignited, turn the temperature dial to any cooking setting desired.

NOTE: If the procedure **is not** successful, see the "Frequently Asked Questions" section on page 22 for troubleshooting tips or contact Traeger's VIP-365 Customer Service (see page 25) to help diagnose the problem.

OPERATING TIPS

1. You can change the temperature dial at any time during grilling to increase or decrease cooking temperature. The HIGH temperature setting is for grilling. The SMOKE setting is for smoking and adding smoke flavor to foods being cooked. The SMOKE setting can also be used to “hold” the food temperature at about 165°F / 73.9°C.
2. When you change the temperature using the temperature dial, the new temperature will blink 5 times, then revert back to the actual grill temperature, making it easy to know the exact grill setting.
3. **WARNING!** Your Traeger Silverton Grill should never be moved while it is hot. If you are transporting your grill in a vehicle after cooking on it, make sure the fire is completely out and the grill is COLD before placing it in any vehicle. **Never** put water into the firepot; it will jam the auger.
4. Your Traeger Silverton Grill is designed to operate with the door closed. Cooking with the door open greatly lengthens your cooking time.
5. **CAUTION!** Never add pellets by hand to a hot firepot. This is dangerous and you may be seriously burned. If you run out of pellets and lose your fire while cooking, let the grill cool completely and start again with the “Initial Firing Instructions” section on page 10.
6. **CAUTION!** Make sure the upper heat shield is properly seated on its locating brackets. The sides of the heat shield should be pointing down over the firepot. If not seated properly, direct heat and flames could come up out of the firepot and cause a grease fire in the grill.
7. Always take into account the outside temperature when estimating cooking times. If it is hot outside, it will take less time for your grill to reach the set temperature. If it is cold, wet, or windy, it will take longer.
8. **Digital Pro Controller Functions:**

After selecting your cooking temperature, the auger will operate continuously until the selected temperature is reached. From that point forward, the digital control will cycle the auger off and on to maintain the selected temperature until the temperature dial is changed.

WARNING! If the fire in the firepot goes out while smoking/cooking and there is a sufficient amount of pellets still in the pellet hopper, it is important to complete the following instructions. Failure to do so may cause a hazardous “over-firing” of your grill due to an excess of unburned pellets in the firepot.

 - a. **DANGER!** Turn the switch OFF (O) and disconnect the power cord. Allow the grill to cool thoroughly. Open the door and remove all food, the upper grill rack, the porcelain-coated grill grates, the grease drain pan, and the upper heat shield.
 - b. **WARNING!** Remove all unburned pellets and ash from inside and around the firepot. (See instructions for proper handling and disposal of ash on page 21.)
 - c. Before replacing the lower and upper heat shields, grease drain pan, the porcelain-coated grill grates, and the upper grill rack, plug the power cord into an appropriate grounded electrical outlet and turn the switch ON (I). Pellets should fall into the firepot and the hot rod should begin to heat (it will start to turn red). **CAUTION! Do not touch the hot rod.**
 - d. When flames start to come out of the firepot, turn the switch OFF (O). Let the grill cool down. Now you’re ready to place the lower and upper heat shields, grease drain pan, porcelain-coated grill grates, and upper grill rack back into the grill. With the door open, turn the switch ON (I) and turn the temperature dial to SMOKE. In about 2 minutes, the pellets will ignite and whitish-gray smoke will come out of the grill. After the pellets have ignited, close the door and turn the temperature dial to any cooking setting desired.

OPERATING TIPS (cont.)

9. CARBON MONOXIDE:

WARNING! Follow these guidelines to prevent this colorless, odorless gas from poisoning you, your family, or others.

- Know the symptoms of carbon monoxide poisoning: headaches, dizziness, weakness, nausea, vomiting, sleepiness, and confusion. Carbon monoxide reduces the blood's ability to carry oxygen. Low blood oxygen levels can result in loss of consciousness and death.
- See a doctor if you or others develop cold- or flu-like symptoms while cooking or in the vicinity of this appliance. Carbon monoxide poisoning, which can easily be mistaken for a cold or flu, is often detected too late.
- Alcohol consumption and drug use increase the effects of carbon monoxide poisoning.
- Carbon monoxide is especially toxic to mother and child during pregnancy, infants, the elderly, smokers, and people with blood or circulatory system problems, such as anemia or heart disease.

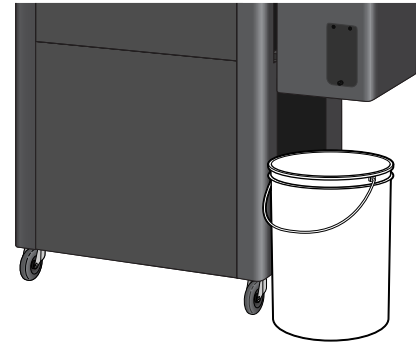
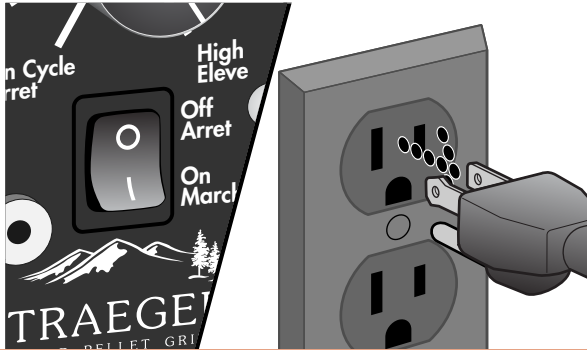
10. **CAUTION!** Grease fires are caused by not properly maintaining the grill by failing to clean the grease drain pan, V-shaped grease drain, and grease drain tube on a consistent basis. (See the "Maintaining Your Grill" section on page 20 for instructions.) In the unlikely event of a grease fire while cooking, turn the switch OFF (O) to reduce the amount of oxygen in the cooking chamber and keep the door closed until the fire is completely out. Never keep the door open during a grease fire. If the fire does not go out, lightly sprinkle baking soda on the fire.

CAUTION! Be careful not to burn yourself.

If this does not put out the fire, carefully remove the food from the grill and keep the door closed until the fire is completely out. **Again, be careful not to burn yourself.** When the grill is completely cool, remove the porcelain-coated grill grate and replace the foil on the grease drain pan. Clean any grease accumulation from the V-shaped grease drain and the grease drain tube. Replace the grease drain pan and the porcelain-coated grill grates in their proper positions, restart the grill, and resume cooking.

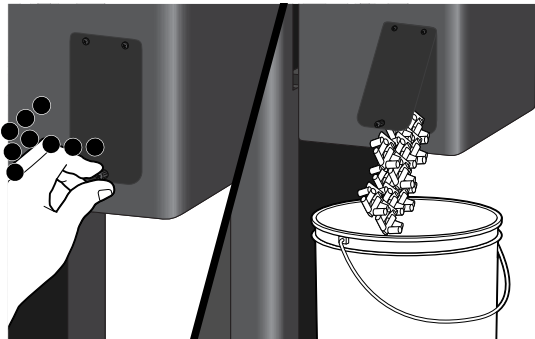
HOPPER CLEAN-OUT

Your Traeger Grill has a hopper clean-out system that allows you to quickly change from one pellet flavor to another without making a mess.



1 Turn the switch to OFF (O) and disconnect the power cord. If the grill is still hot, allow it to cool completely.

2 Place a container large enough to hold the discarded pellets under the pellet clean-out door.
TIP: A clean 5-gallon bucket works great!



3 Unscrew the clean-out door fastener and open, allowing the pellets to empty into the container below it. You might need a spatula or spoon to push the remaining pellets out of the hopper.

4 Once the hopper's empty, close the door, replace the fastener, and refill the hopper with a different flavor of Traeger Hardwood Pellets.

MAINTAINING YOUR GRILL

1. CREOSOTE AND GREASE FORMATION AND REMOVAL

When wood pellets are burned slowly, they produce tar and other organic vapors that combine with expelled moisture to form creosote. The creosote vapors condense in the relatively cool flue exhaust of a slow-burning fire. As a result, creosote accumulates on the flue lining. When ignited, creosote makes an extremely hot fire. Airborne grease particles will travel through the cooking chamber, and some of this airborne grease will accumulate on the flue lining, similar to creosote, which could be contributory to a fire. The smokestack exhaust should be inspected at least twice a year to determine when a creosote and/or grease buildup has occurred.

Also, grease drippings from the food will fall onto the grease drain pan and be channeled into the grease drain and then out of the grill through the grease drain tube, to be collected in the grease bucket. Grease will accumulate in all of these locations.

The grease drain, the grease drain tube, and the grease bucket should be inspected at least twice a year for signs of grease buildup.

When creosote or grease has accumulated, it should be removed to reduce the risk of fire.

Cleaning grease from your grill:

DANGER! Turn the switch OFF (O) and disconnect the power cord.

CAUTION! Accumulated grease is easier to clean off when the grill is still warm—not hot. **Be careful not to burn yourself.** Gloves are recommended.

Periodically clean the grease out of the V-shaped grease drain and grease drain tube. If too much grease is allowed to build up in the V-shaped grease drain or is allowed to plug the grease drain tube, a grease fire could result. We recommend cleaning these locations regularly.

Remove the porcelain-coated grill grates and the grease drain pan. This will provide access to the V-shaped grease drain and grease drain tube opening inside the grill. Scrape the grease accumulation from inside the V-shaped grease drain and grease drain tube using a stiff, nonmetallic tool. Much of the loosened grease can be pushed down through the grease drain tube and will fall into the grease bucket. Wipe up remaining grease residue with paper towels or disposable rags. Paper towels or disposable rags can also be used to wipe some of the grease off of the interior surfaces of the grill.

Line your grease bucket with aluminum foil for easy cleanup. Empty it occasionally, depending on the amount of use. Change the aluminum foil on the grease drain pan frequently (sometimes after each use, depending upon what was cooked). Clean foil on the grease drain pan will make your food taste better and reduce the risk of a grease fire.

Cleaning outside surfaces:

DANGER! Turn the switch OFF (O) and disconnect the power cord.

Use a disposable rag or cloth dampened with warm, soapy water to wipe the grease from the outside of the grill. DO NOT use oven cleaner, abrasive cleansers, or abrasive cleaning pads on the outside grill surfaces.

Outside storage:

CAUTION! If the grill is stored outside during the rainy season, care should be taken to ensure that water does not get into the pellet hopper. Wood pellets expand greatly when wet and will jam your auger. Your Traeger Silverton Grill comes with a custom cover to protect it from the elements.

Cleaning the porcelain-coated grill grates:

CAUTION! Cleaning the porcelain-coated grill grates works best while they are still warm. **Be careful not to burn yourself.** After removing your food, clean the porcelain-coated grill grates with a cleaning brush or other similar tool. It takes only a minute and it will be ready the next time you want to use the grill.

2. ASH CLEANING AND REMOVAL

Cleaning the ash from inside and around the firepot:

DANGER! Turn the switch OFF (O) and disconnect the power cord.

WARNING! Make sure that the grill is COLD before cleaning the ash.

WARNING! Disposal of ashes should be done only according to the following instructions.

Excess ash in the firepot may cause your fire to go out, especially on the SMOKE setting. The firepot should be inspected occasionally and cleaned to remove the ash buildup. Again, cleaning the ash from in and around the firepot should be done only when the grill is COLD.

Remove the upper grill rack, porcelain-coated grill grates, grease drain pan, and upper and lower heat shields to provide access to the firepot and the interior of the grill. Much of the ash outside of the firepot can be removed from the grill with a small metal fireplace shovel or other similar tool.

WARNING! A shop vac is the best way to remove ashes from the firepot, but this must be done with extreme care to avoid the risk of fire. Again, cleaning the ash from the firepot should be done only when the grill is COLD.

A utility-type, bagless vacuum cleaner with a metal collection canister would be best for this task. However, almost any vacuum cleaner will work safely if this procedure is properly followed. After ensuring that the ash in the firepot is COLD, vacuum the ash from the inside of the firepot.

- a. If your vacuum cleaner is a bagless model, empty any previously accumulated debris from the collection chamber. Then vacuum the ash from the inside of the firepot. Once the firepot is clean, empty the collection chamber into the metal container described below without delay. Make sure that there is no remaining ash residue left in the collection chamber.
- b. If your vacuum cleaner is a model that uses a disposable bag, install an unused bag in the machine. Then vacuum the ash from the inside of the firepot. Once the firepot is clean, remove the bag from the vacuum cleaner and place it in the metal container described below without delay.

DISPOSAL OF ASHES:

WARNING! Ashes should be placed in a metal container with a tight-fitting lid. The closed container of ashes should be placed on a noncombustible floor or on the ground, well away from all combustible materials, pending final disposal. Ashes are disposed of by burial in soil or otherwise locally dispersed.

FREQUENTLY ASKED QUESTIONS

| Question | Answer | | |
|--|---|--|--|
| Why won't my grill ignite? | Verify power at the electrical outlet. | If the power cord is connected to a GFCI (ground fault circuit interrupter), check and reset if necessary. Initiate start-up. If ignition does not occur, proceed to next answer. | |
| | DANGER! Turn the switch OFF (O) and disconnect the power cord. | Remove the control and check the fuse on back. Replace the fuse if blown. Reinstall the control. | |
| | Check the draft inducer fan and the auger drive motor for operation. If both are operating, then the hot rod needs to be replaced. If one or both are not operating, contact Traeger's VIP-365 Customer Service (see page 26) for additional troubleshooting help or to place an order. | | |
| Why are no pellets being delivered into the firepot? | Verify that there are pellets in the pellet hopper. If this is the initial firing or the grill has run out of pellets, allow sufficient time for the pellets to travel from the pellet hopper to the firepot (can take up to 7 minutes). | | |
| | Initiate start-up. See the "Initial Firing Instructions" section on page 10. | If there are still no pellets in the firepot, proceed to next answer. | |
| | If the auger drive motor is operating (check the small fan blade on the back of the motor), then the problem is in the digital control, which will need to be replaced. Contact your Traeger dealer or Traeger's VIP-365 Customer Service (see page 26) to place an order. | | |
| | If the auger drive motor is not operating but the draft inducer fan is operating, then the problem is in the auger system, which will need to be checked. | With the switch OFF (O), locate the small fan blade on the back of the auger drive motor. | |
| | | CAUTION! While watching the fan blade, turn the switch ON (I). If the fan blade does not turn, turn the switch OFF (O). This indicates a defective auger drive motor, and it will need to be replaced. Contact your Traeger dealer or Traeger's VIP-365 Customer Service (see page 26) to place an order. | |
| If the fan blade turns a bit and then stops, continue watching and turn the switch OFF (O). If the fan blade unwinds slightly, this indicates a jam in the auger system which will need to be cleared. | | | |
| DANGER! Turn the switch OFF (O) and disconnect the power cord. Remove the pellets from the pellet hopper. Check for foreign objects and wet or decomposed pellets, both of which can cause a jam in the auger system. The auger will need to be removed to clear a jam in the auger system. See "How do I remove the auger if it jams?" | | | |
| How do I remove the auger if it jams? | DANGER! Turn the switch OFF (O) and disconnect the power cord. | | |
| | CAUTION! If the grill is still hot, allow it to cool thoroughly. | | |
| | Remove any covers necessary to access the auger drive motor. | | |
| | Remove the screw connecting the auger drive motor shaft to the auger shaft and the screw retaining the auger bushing into the auger tube. | | |
| | With a small pipe wrench or locking pliers on the auger shaft, turn the auger counterclockwise. It will turn hard until it breaks free; then the auger will turn freely. | | |
| | Remove the auger and clean all pellets, ash, or foreign objects from the auger, auger tube, and firepot. (See instructions for proper handling and disposal of ash on page 21.) | | |
| | Sand the outside surfaces of the auger with medium grit sandpaper. Check the inside of the auger tube and sand it if needed. Vacuum the sanding grit out of the auger tube and firepot when finished. Check that the auger rotates freely. | | |
| | Reattach the auger shaft to the auger drive motor shaft. | | |

| Question | Answer |
|---|---|
| <p>Why does my grill fire go out on SMOKE setting?</p> | <p>There may be excess ash in the firepot which needs to be cleaned.</p> <p>DANGER! Turn the switch OFF (O) and disconnect the power cord. Allow the grill to cool thoroughly. Open the door and remove all food, the porcelain-coated grill grate, the grease drain pan, and the upper and lower heat shields.</p> <p>WARNING! Remove all unburned pellets and ash from inside and around the firepot. (See instructions for proper handling and disposal of ash in on page 21.)</p> <p>Before replacing the upper and lower heat shields, grease drain pan, and porcelain-coated grill grate, plug the power cord into the appropriate grounded electrical outlet and turn the switch ON (I). Pellets should fall into the firepot and the hot rod should begin to heat (it will start to turn red). CAUTION! Do not touch the hot rod.</p> <p>When flames start to come out of the firepot, turn the switch OFF (O). Let the grill cool down. Now you're ready to place the upper and lower heat shields, grease drain pan, and porcelain-coated grill grate back into the grill. With the door closed, turn the switch ON (I) and turn the temperature dial to SMOKE. In about 2 minutes, the pellets will ignite and whitish-gray smoke will come out of the grill. After the pellets have ignited, turn the temperature dial to any cooking setting desired.</p> <p>If this does not fix the problem, contact Traeger's VIP-365 Customer Service (see page 26) for assistance.</p> |
| <p>With the Traeger Digital Pro Controller, what dial setting is recommended for starting the grill?</p> | <p>The auto-start procedure is the same for all grill controls. With the door closed, turn the switch ON (I) and turn the temperature dial to SMOKE. In about 2 minutes, the pellets will ignite and whitish-gray smoke will come out of the grill. After the pellets have ignited, turn the temperature dial to any cooking setting desired.</p> |
| <p>How do I protect my paint finish?</p> | <p>Use the protective cover on the grill and touch-up paint to repair any scratches. Touch-up paint is available from your Traeger dealer, or log onto our website, traegergrills.com.</p> <p>Every 90 days, use a high-quality car wax on the outside surfaces of the grill. ONLY APPLY WAX TO A COLD GRILL.</p> |
| <p>Where can I get a new part for my grill?</p> | <p>Check with your Traeger dealer. They may have the part in stock or can order the part for you.</p> <p>Contact Traeger's VIP-365 Customer Service (see page 26) to place an order.</p> <p>In either case, please provide your name, phone number, address, model, and serial number of the grill (located on the label inside the hopper lid), along with the part identification number from the component diagram or parts list.</p> |

ADDITIONAL ACCESSORIES

CAST-IRON GRATES

Take your grilling game pro with a cast iron grill grate. With cast iron, you get a deeper sear and heat distributes evenly throughout the entire grate to maintain slow and even cooking, which allows food to cook to perfection.

Simply place the new cast iron grill grate on top of your original grate or replace all the grates and refresh your whole grill.



DRIP TRAY LINERS

Make grill maintenance a breeze with our Drip Tray Liners. Made of heat-proof aluminum, they're lightweight and disposable so you can clean up quick and Traeger on! Liners should rest fully on the grease pan, and not cover any areas outside of the grease pan, as to not affect the temperature and performance of the grill.



GRILL COVER

Protect your Traeger Silverton Grill with a premium custom cover, designed to withstand the elements. This durable grill cover is available for purchase at traegergrills.com.

NOTES



TRAEGER'S LEGENDARY VIP-365 customer service is the best out there. If you have any questions about your Traeger Silverton Grill or need tips on cooking your first Thanksgiving turkey, our seasoned experts have your back. We're here for you 365 days a year including holidays, because we're cooks — not bankers.

For 24/7 assistance with assembly or installation, parts, or customer service (English only, please), you can phone, email, or write us at:

TRAEGER'S VIP-365 CUSTOMER SERVICE

Phone: 1-800-TRAEGER
6:00 AM – 7:30 PM MT, 365 days a year (English)
Email: service@traegergrills.com

TRAEGER PELLET GRILLS LLC

1215 E. Wilmington Ave.
Salt Lake City, UT 84106

3-YEAR WARRANTY

Traeger Pellet Grills LLC warrants this barbecue grill against defects in material and workmanship under normal use and maintenance for a period of three (3) years from the date of original purchase.

Traeger Pellet Grills LLC will provide a replacement part for any part found to be defective. Original part(s) approved for return by Traeger's Parts Department must be returned prepaid.

This warranty does not include labor charges connected with the determination or replacement of defective parts, or freight charges to ship these parts.

Traeger Pellet Grills LLC shall not be liable under this or any implied warranty for incidental or consequential damages. This warranty gives the retail customer specific legal rights and the customer may have other rights which vary from state to state.

This warranty shall be void if the unit is not assembled or operated in accordance with the operation instructions provided with this unit; the unit is resold or traded to another owner; components, or accessories not compatible with the unit have been used; the unit has been used in a commercial or food service application; or the user has abused or otherwise failed to maintain the unit.

To process a warranty claim, Traeger Pellet Grills LLC may require proof of your date of purchase. You should retain your sales slip or invoice along with this certificate with your valuable documents.



LIVE FLAVOR FULL

Traeger Pellet Grills LLC
1215 E. Wilmington Ave.
Salt Lake City, UT 84106

traegergrills.com